

Installation Guide

Titon FireSafe® Single Air Brick



EN

Installation

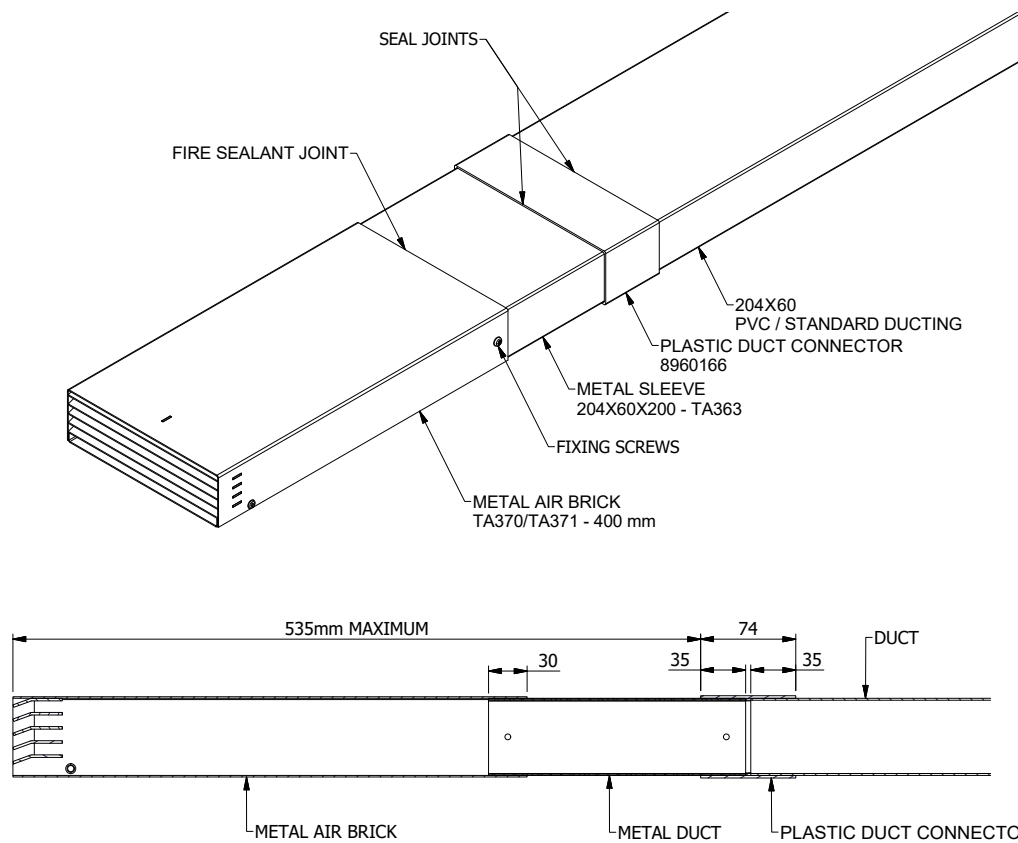
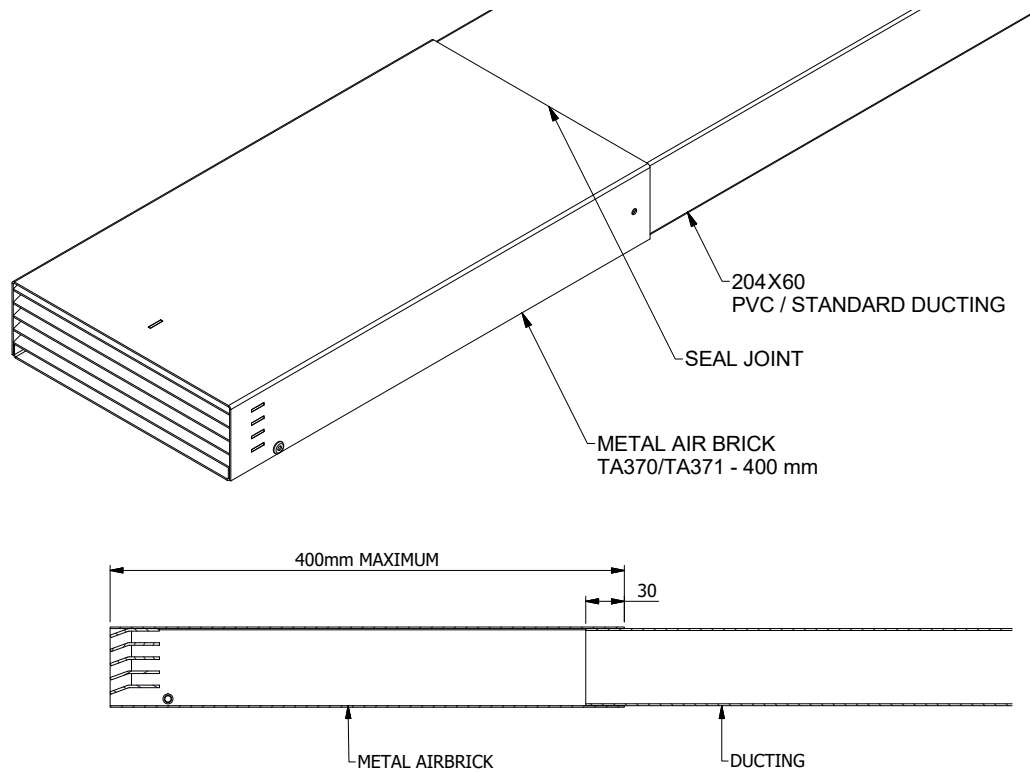
- Handle units with care ensuring no paint damage occurs on or around the grilles
- Install in accordance with the Residential Ventilation Association Good Practice Recommendations
- The ducting needs to be supported during install to ensure it slopes towards the outside as set out in the Domestic Ventilation Compliance Guide (DVCG)
- Connection of the metal air bricks to the metal adaptors/sleeves should be made using self-tapping screws suitable for an $\text{Ø}4.5\text{mm}$ hole
- When metal air bricks are used with metal sleeves they must be fixed to the required length before installing into the fabric of the building
- The metal air brick/sleeve must be fire sealed to the inner wall
- All unused fixing holes in the metal air bricks/accessories must be filled with fire sealant to prevent air leakage



Titon FireSafe® Single Air Brick - Installation Guide

Rigid Ducting - Installation Methods Example

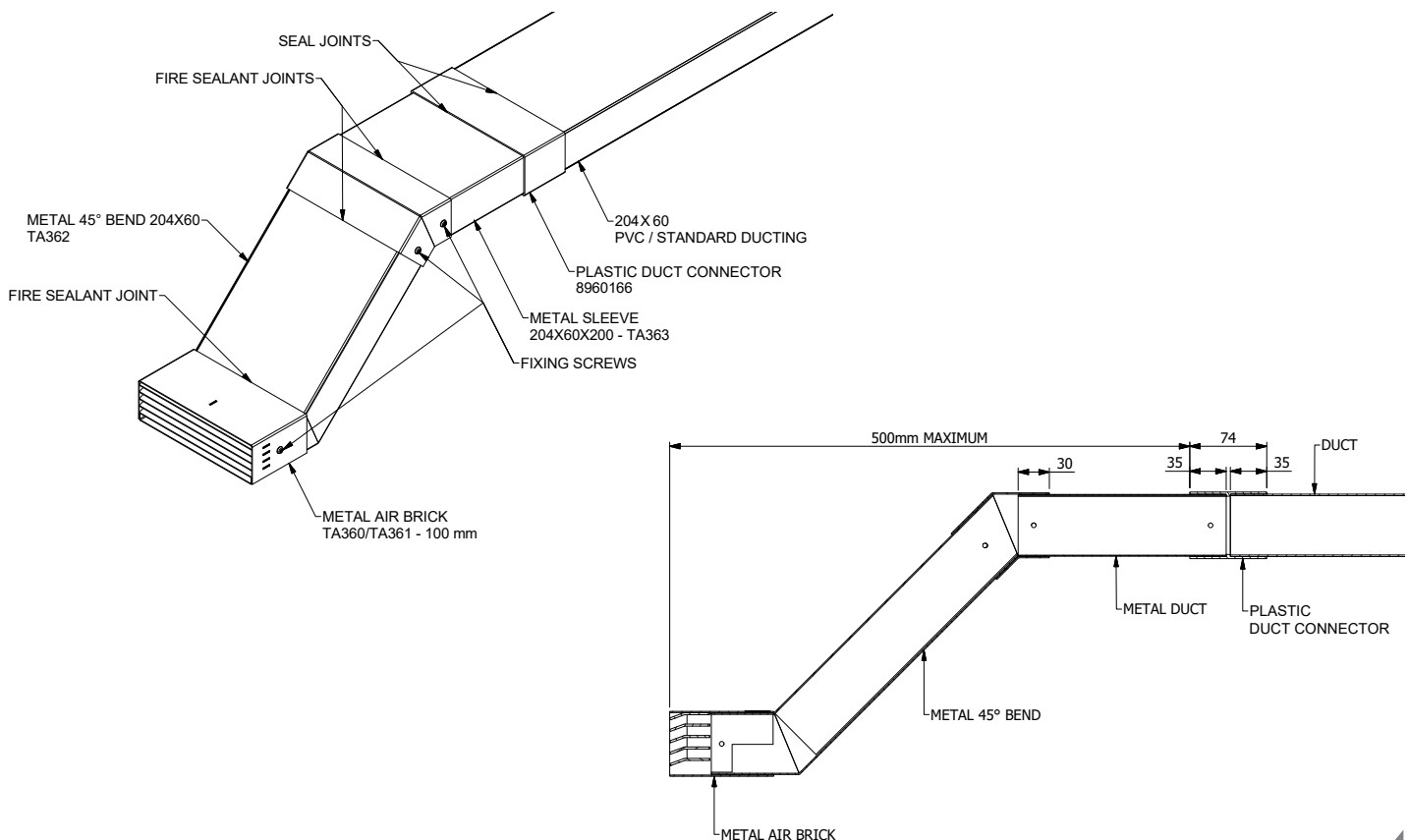
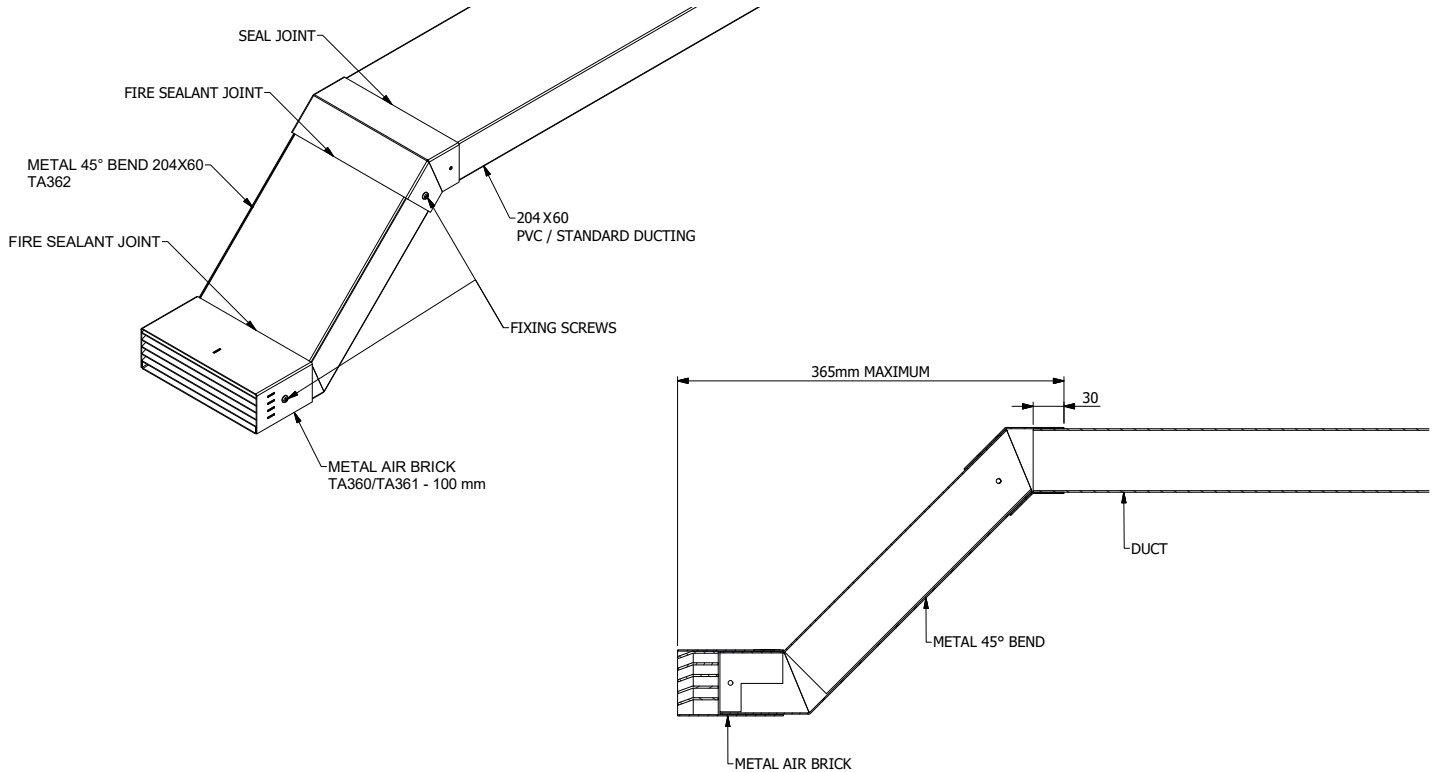
204x60 Air Bricks to 204x60 Ducting



Titon FireSafe® Single Air Brick - Installation Guide

Rigid Ducting - Installation Methods Example

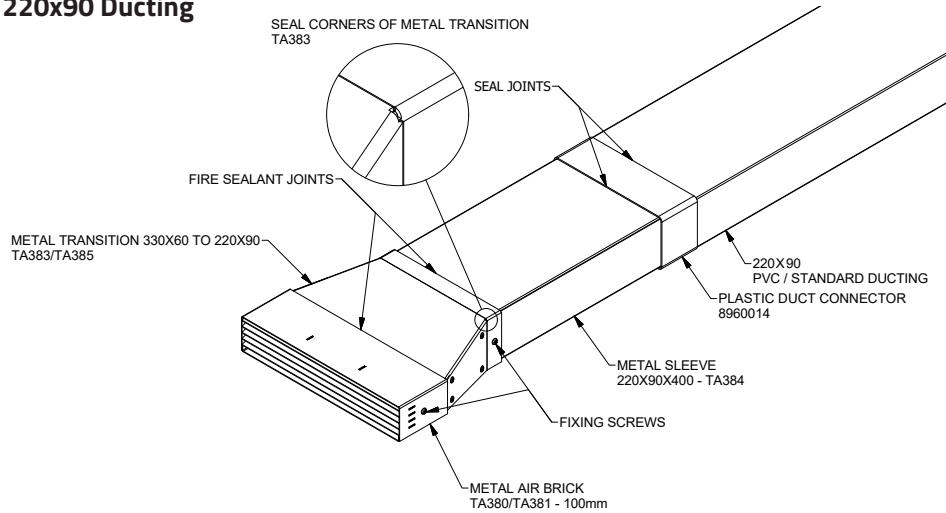
204x60 Air Bricks to 204x60 Ducting



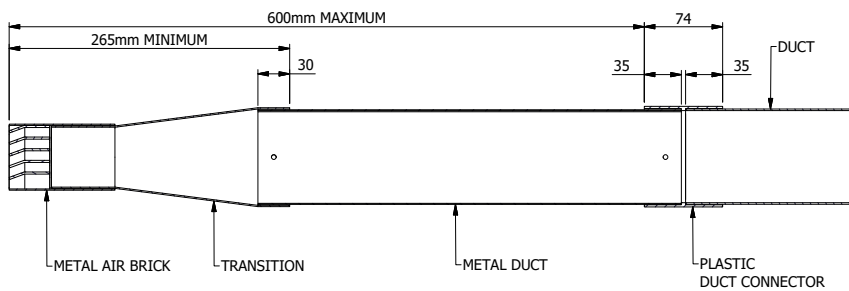
Titon FireSafe® Single Air Brick - Installation Guide

Rigid Ducting - Installation Methods Example

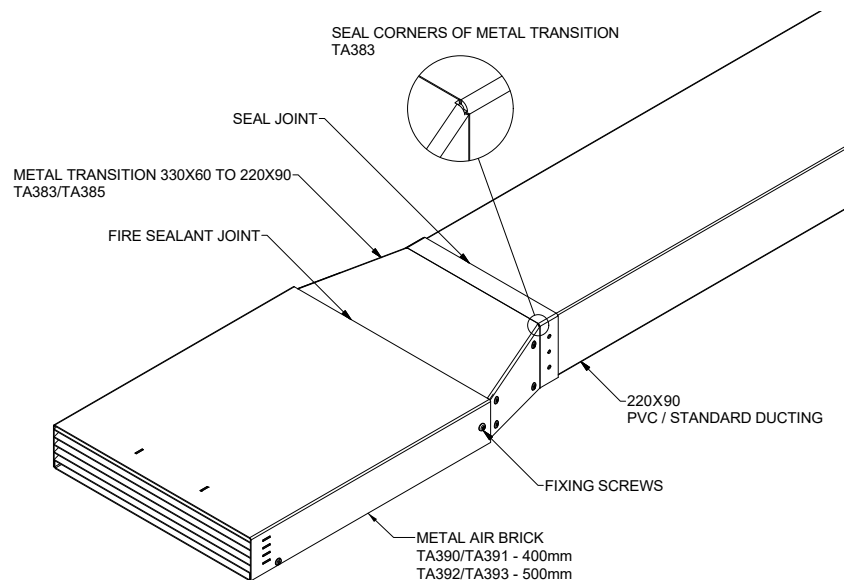
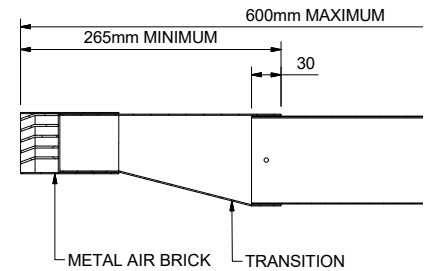
330x60 Air Bricks to 220x90 Ducting



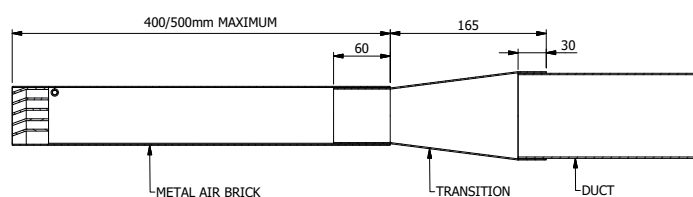
TA383



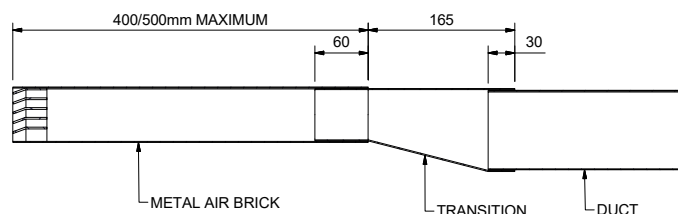
TA385



TA383



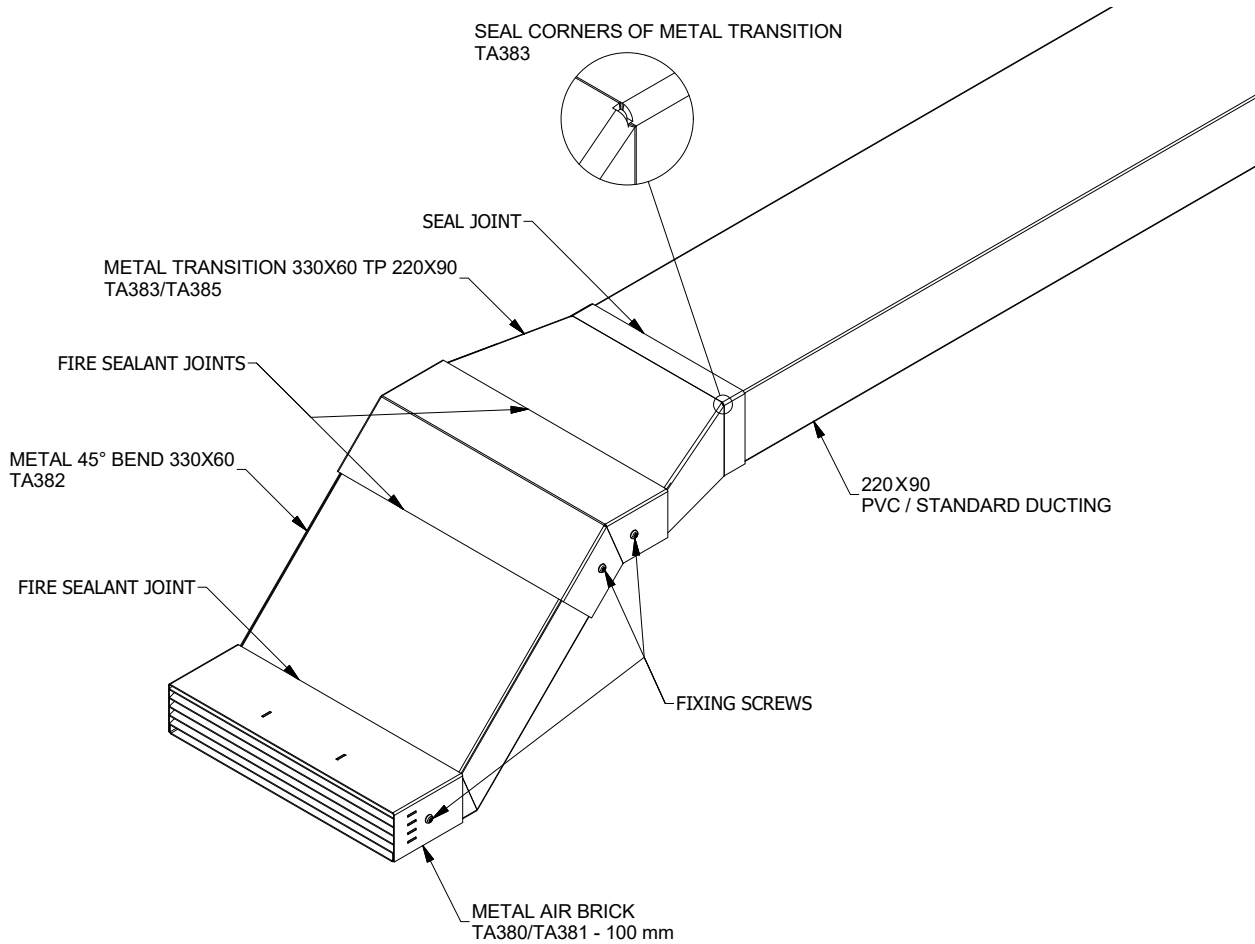
TA385



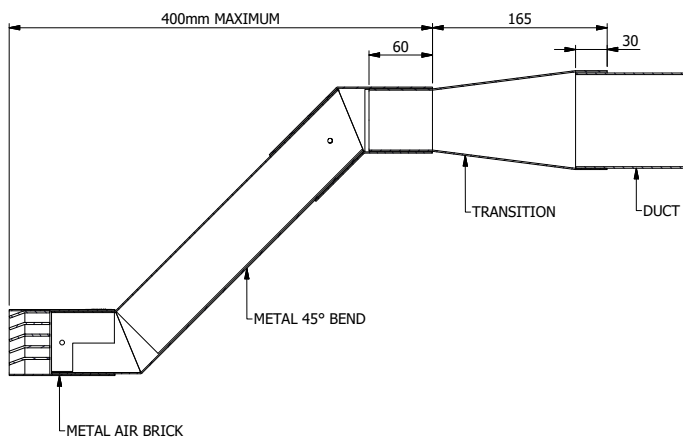
Titon FireSafe® Single Air Brick - Installation Guide

Rigid Ducting - Installation Methods Example

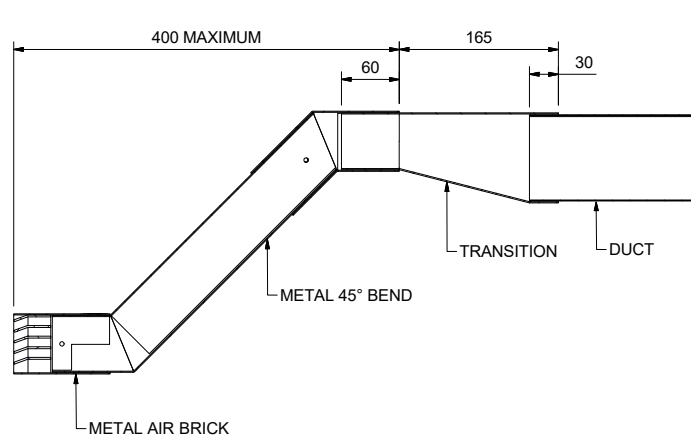
330x60 Air Bricks to 220x90 Ducting



TA383



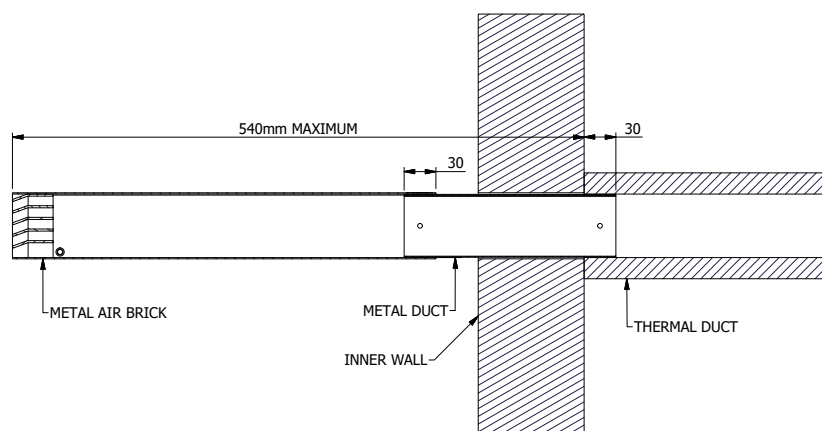
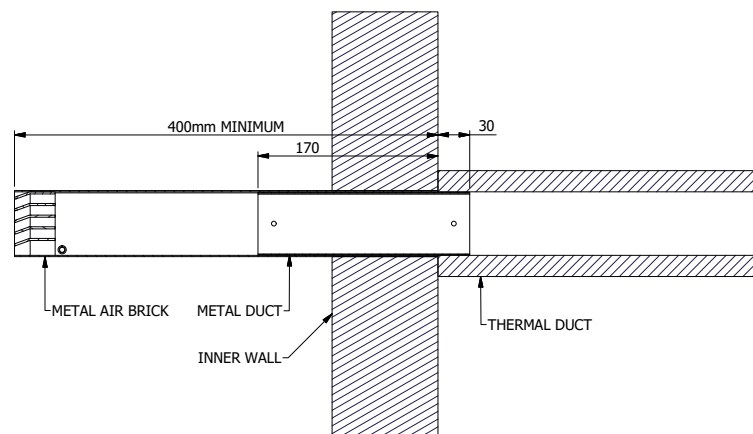
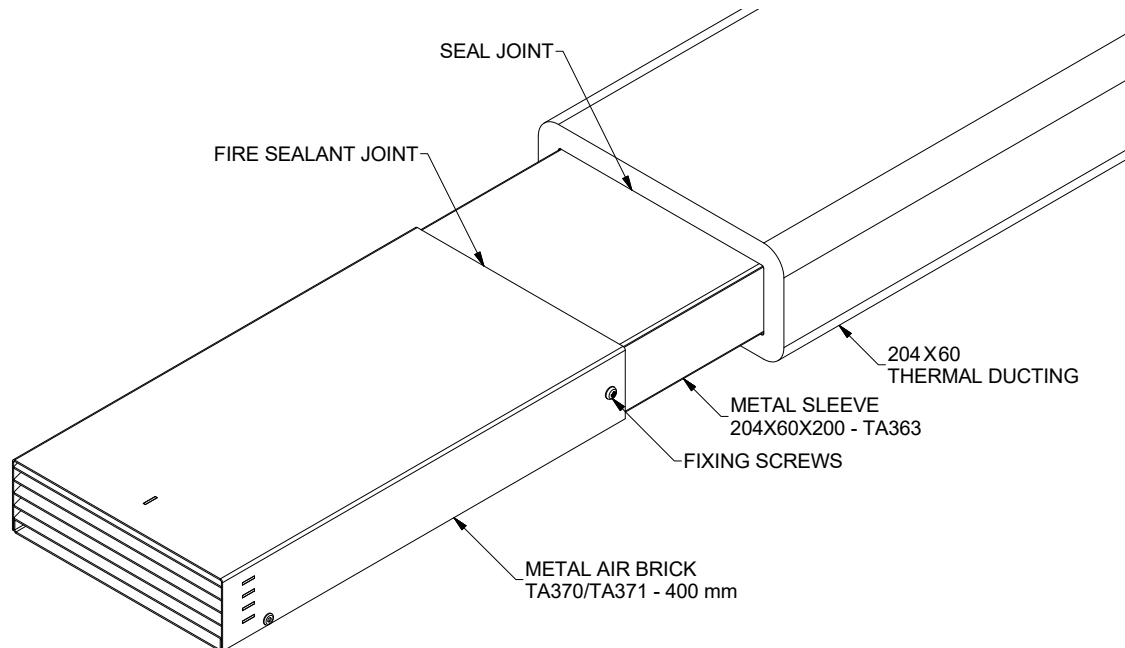
TA385



Titon FireSafe® Single Air Brick - Installation Guide

Thermal Ducting - Installation Methods Example

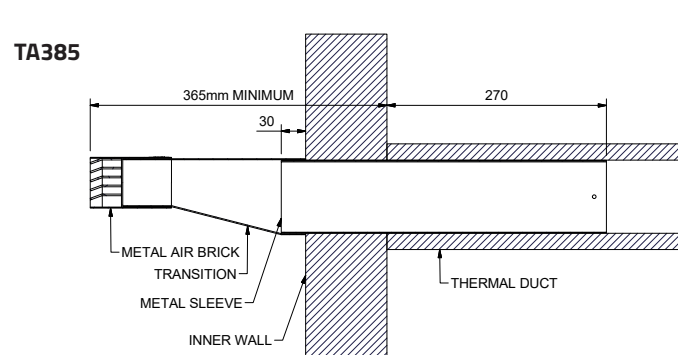
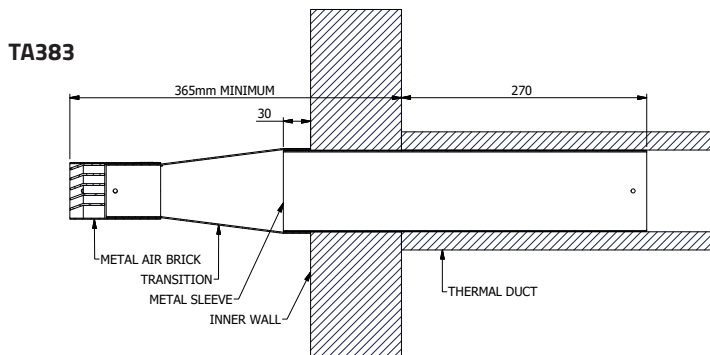
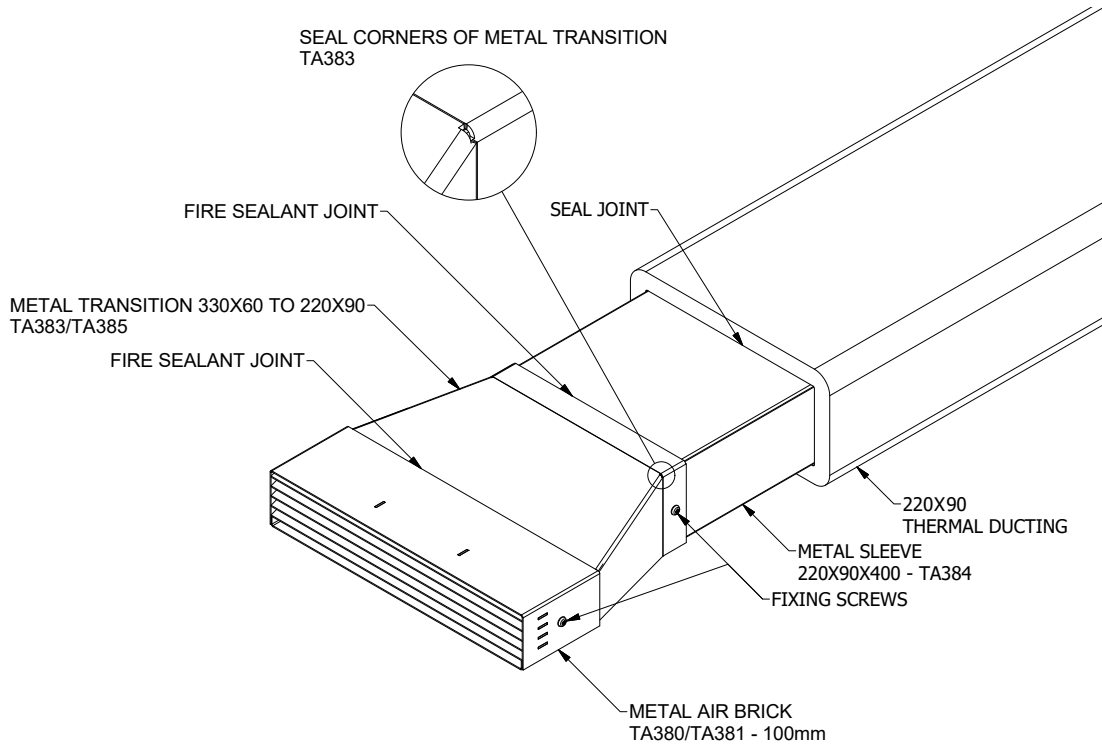
204x60 Air Bricks to 204x60 Thermal Ducting



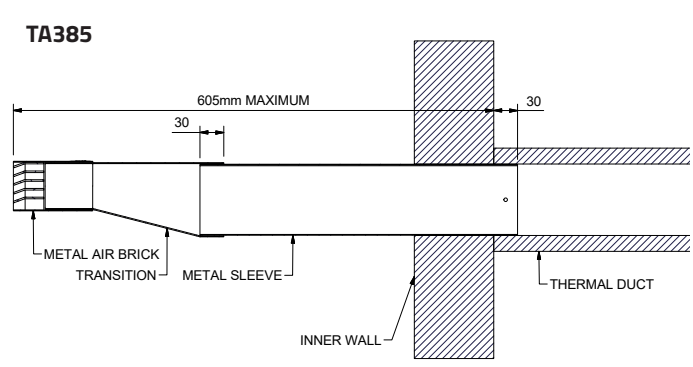
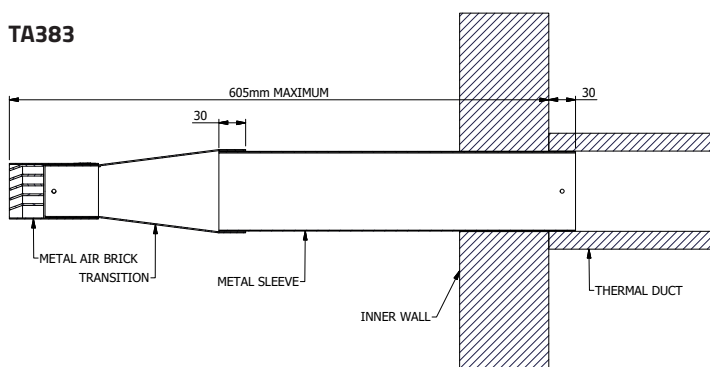
Titon FireSafe® Single Air Brick - Installation Guide

Thermal Ducting - Installation Methods Example

330x60 Air Bricks to 220x90 Thermal Ducting



* Note: Do not fit connector to thermal ducting no closer than 270mm from the inner wall.





MARKETING DIVISION

894 The Crescent, Colchester Business Park, Colchester, CO4 9YQ

Tel: +44 (0) 1206 713800 **Fax:** +44 (0) 1206 543126

Email: ventsales@titon.co.uk **Web:** www.titon.com