

Overture DH Stainless Steel

Lever door handle range

Suitable for:

PVCu



ALUMINIUM



TIMBER



or composite doors

A high performance range of stainless steel door handles suited with Overture E window handles. Available in sprung lever/lever and lever/pad variations.



Features and Benefits

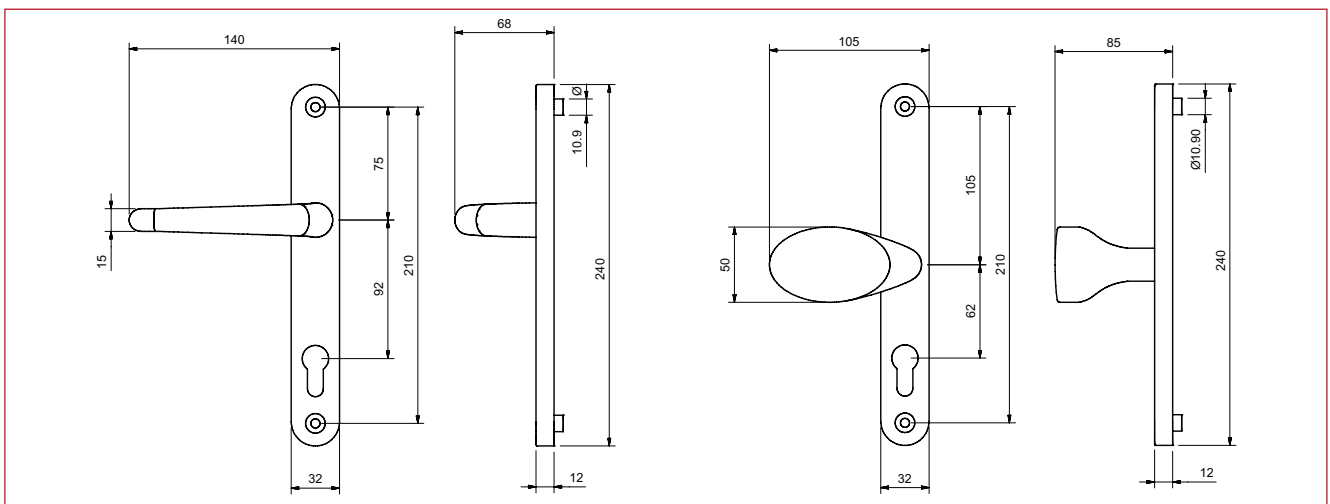
- Tested to over 100,000 cycles
- All finishes tested in excess of 480 hours salt spray testing
- Long (240mm) baseplate
- Sprung handles
- Supplied with two spindle lengths for 44mm and 70mm doors and two screw lengths as standard
- Available in lever/lever and lever/pad variations
- Each pair individually packaged
- Colour coordinated screw heads
- Stainless steel 304
- 10-year corrosion and mechanical guarantee



Product	Door Width (mm)	Product Code
		Stainless Steel - 304
Overture SS L2/L2 (Door Handle Long Baseplate Lever2/Lever2)	40-70	TN8108
Overture SS L2/P2 (Door Handle Long Baseplate Lever2/Pad2*)	40-70*	TN8109

NB: Reduction of spindle and/or screws may be required to achieve the full door width range

Door Thickness (mm)	Product Code
44	TN 8003/099
70	TN 8004/009



Manufactured from

Stainless steel 304
Zinc alloy cradle

Recommended screws

BS EN 1670 Grade 5 (480 hours)
Cycle tested to 100,000 cycles as per EN1906: 2002

Finishes

NOTE: Not all products are available in all finishes listed below. Please contact us for availability.
Suffix product code with: -102 (PVD Gold), -812 (Polished Chrome), -825 (Satin Chrome)

More information

enquiries@titon.co.uk / 01206 713801